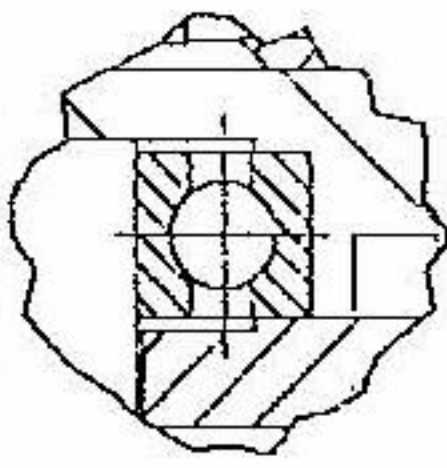
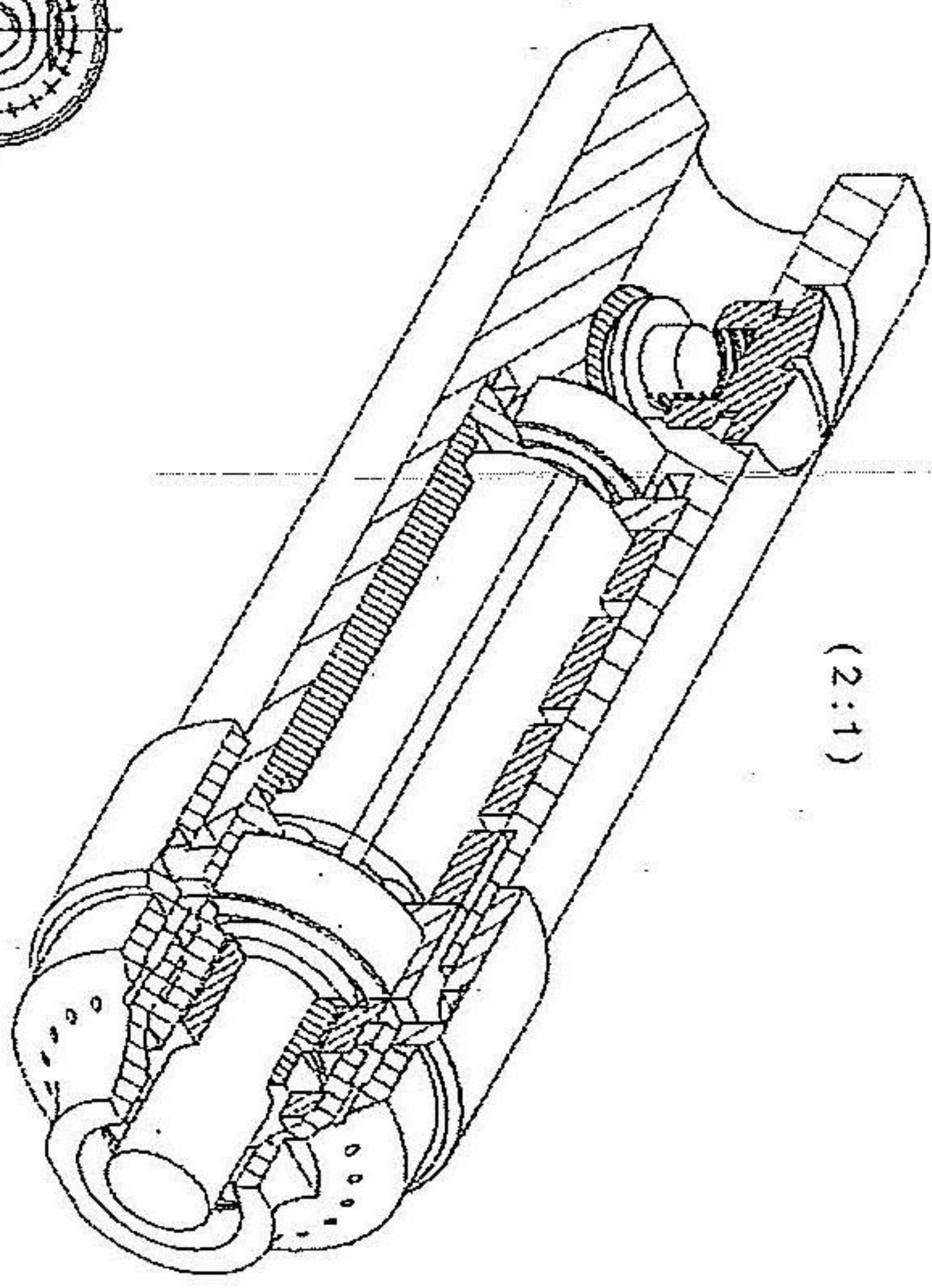
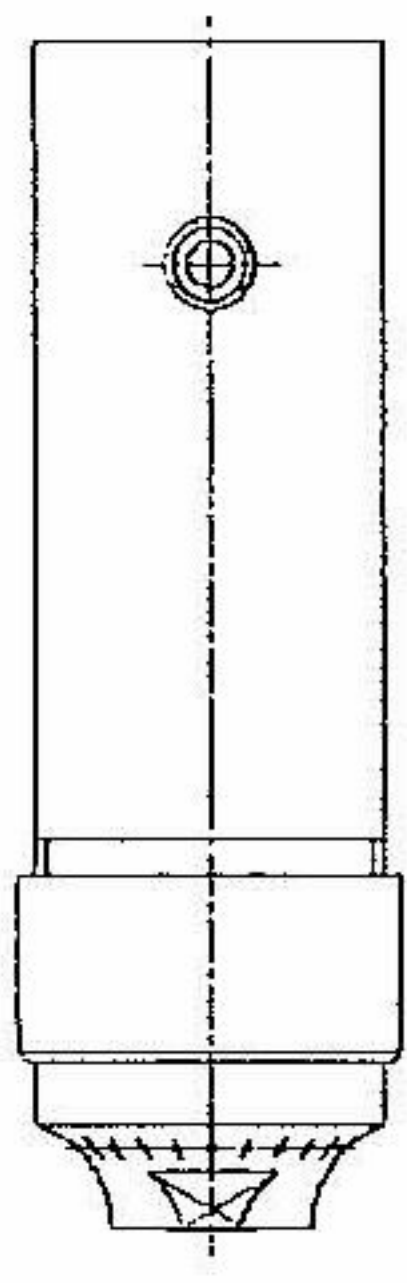
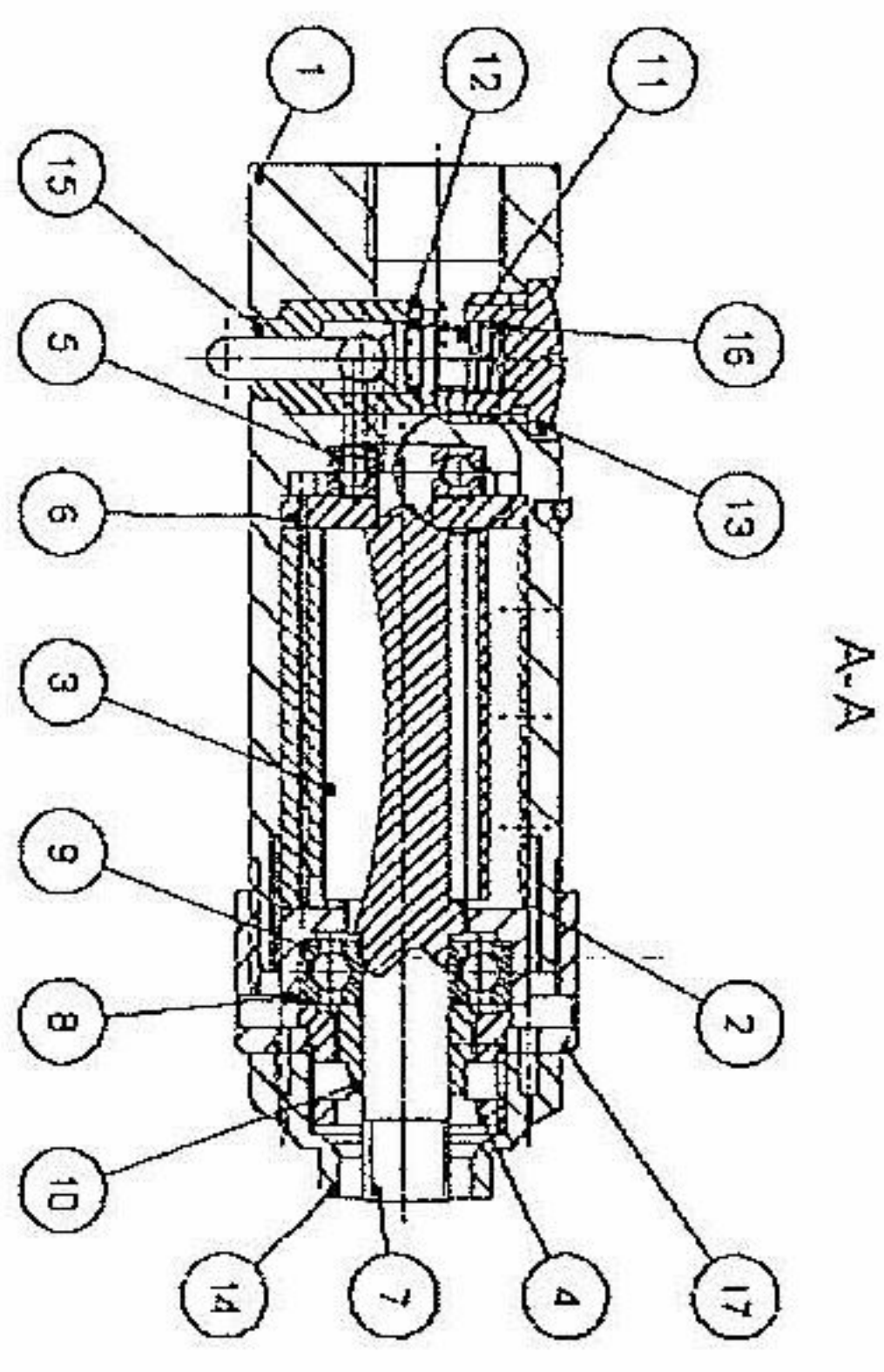
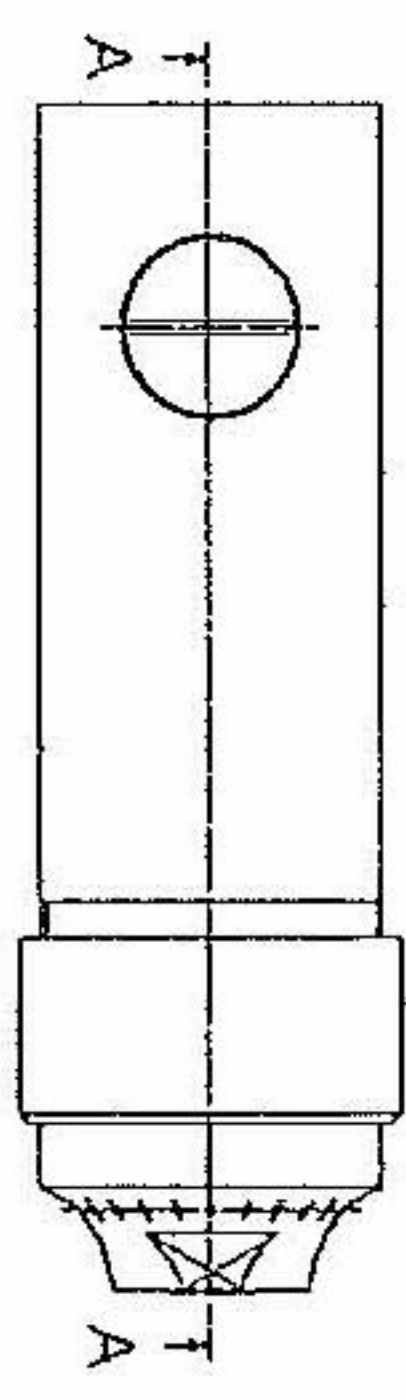


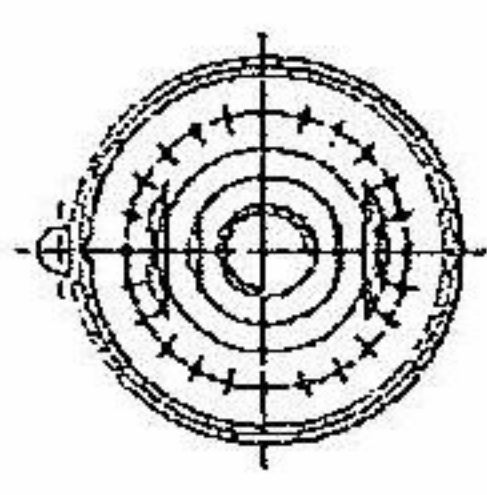
B (3:1)



TAKE NOTE
 WITH THE SPACER (P03) ASSEMBLED
 THIS WAY, THIS WILL SECURE THE
 OUTER RACE OF THE BALL BEARING (P05)
 TO THE HOUSING (P01), LETTING THE INNER
 RACE SPIN FREELY (REVENT DEARING
 FROM JAMMING).

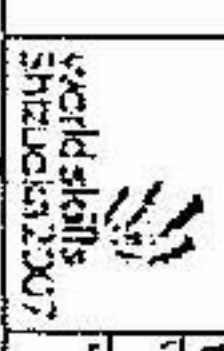


(2:1)

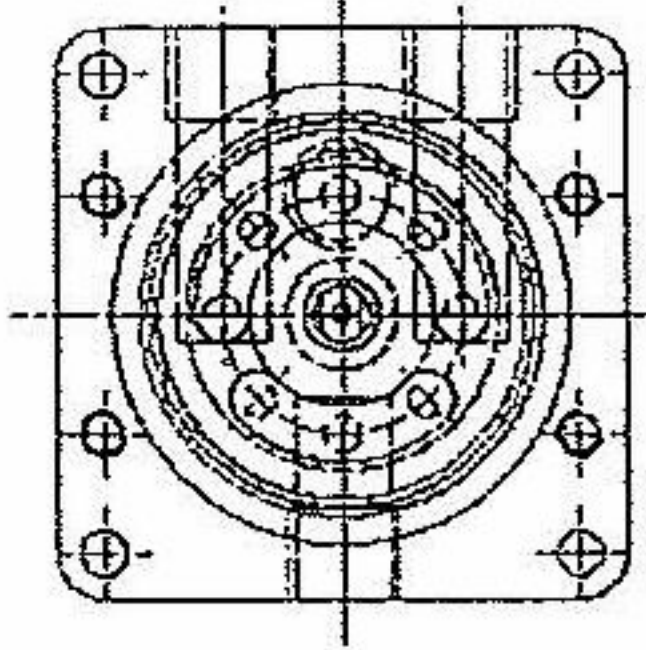
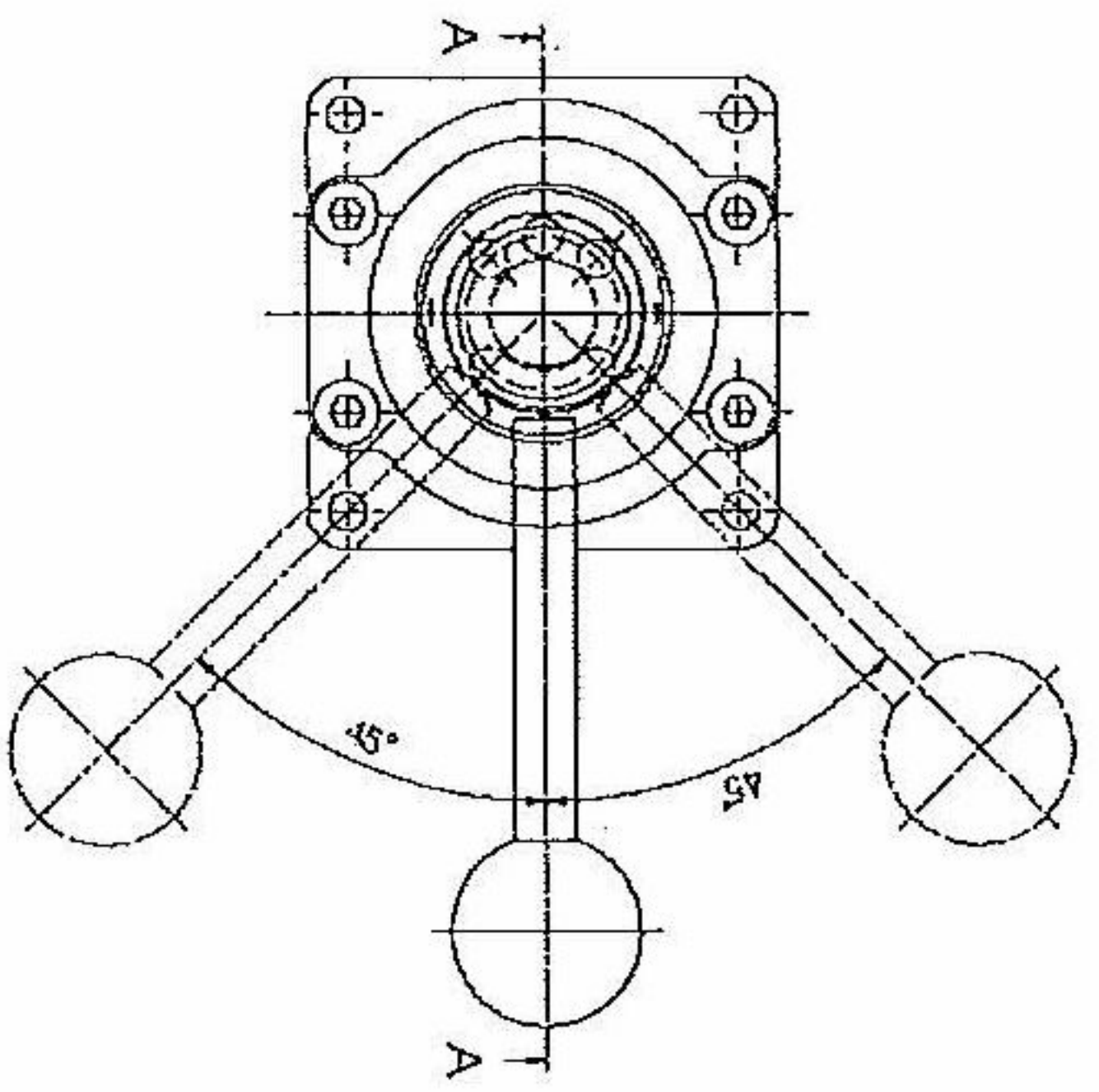


ITEM	DESCRIPTION	QTY	MATERIAL	STANDARD
17	OUTLET CAP	1	ALLOY STL	
16	COMPRESSION SPRING	1	SPRING STL	
15	VALVE SEAT	1	BRONZE	
14	SILENCER	1	ALLOY STL	
13	CAP	1	ALLOY STL	
12	O RING	1	RUBBER	
11	VALVE	1	ALLOY STL	
10	SPACER	1	ALLOY STL	
9	BALL BEARING	1	MILD STL	DIN 625 T1 - 6000 - 10 X 26 X 8
8	BEARING HOUSING	1	ALLOY STL	
7	ROTOR	1	ALLOY STL	
6	SPACER	1	ALLOY STL	
5	BALL BEARING	1	MILD STL	DIN 625 T1 - 626 - 6 X 19 X 6
4	COLLAR	1	ALLOY STL	
3	VANE	4	FIBRE	
2	CYLINDER	1	ALLOY STL	
1	BODY	1	ALUMINIUM	

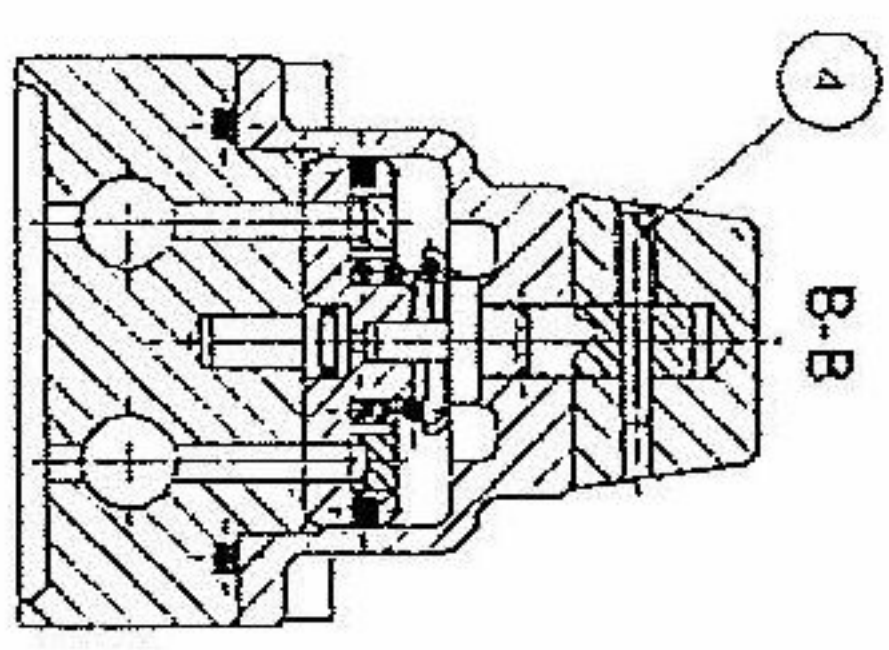
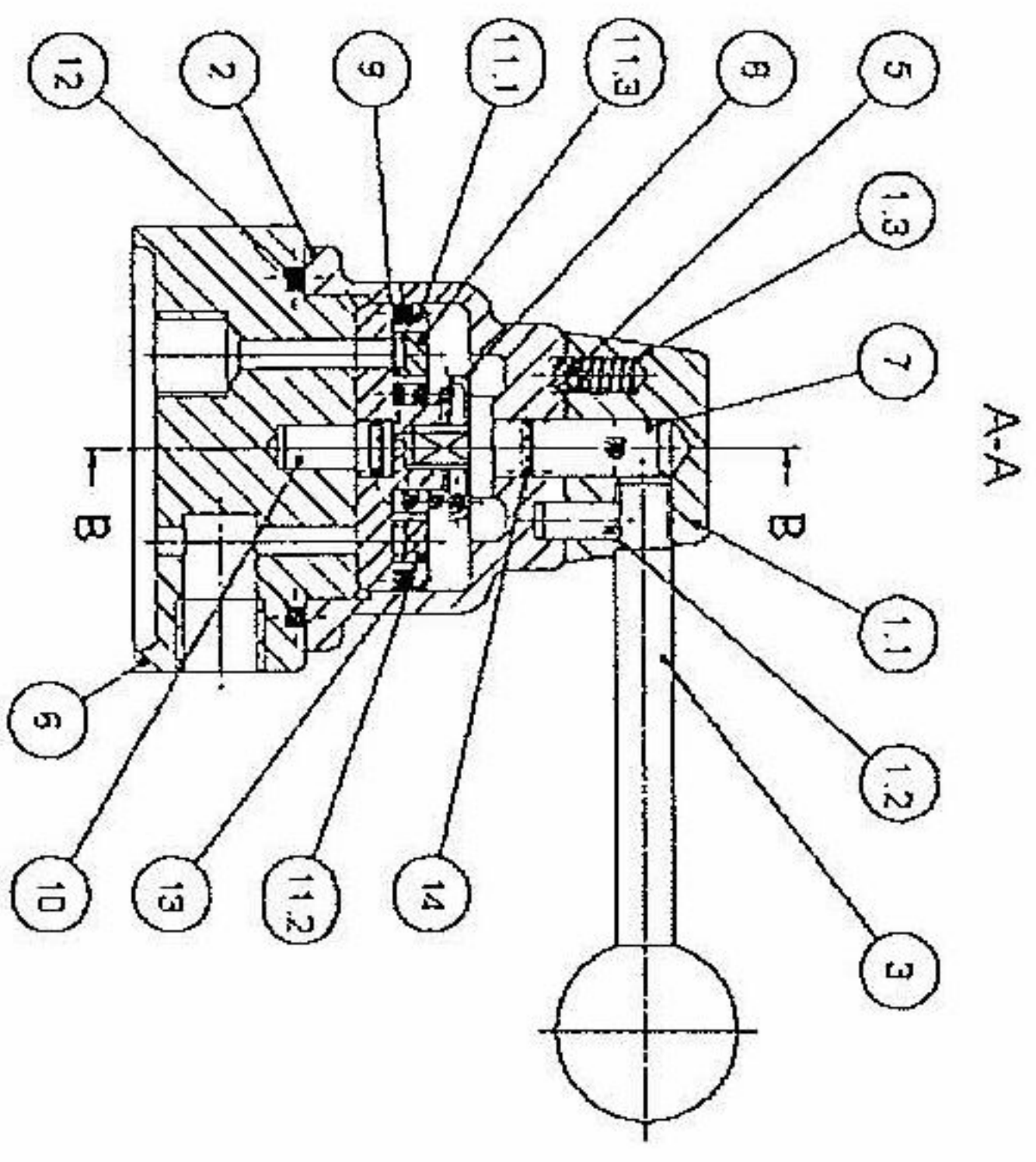
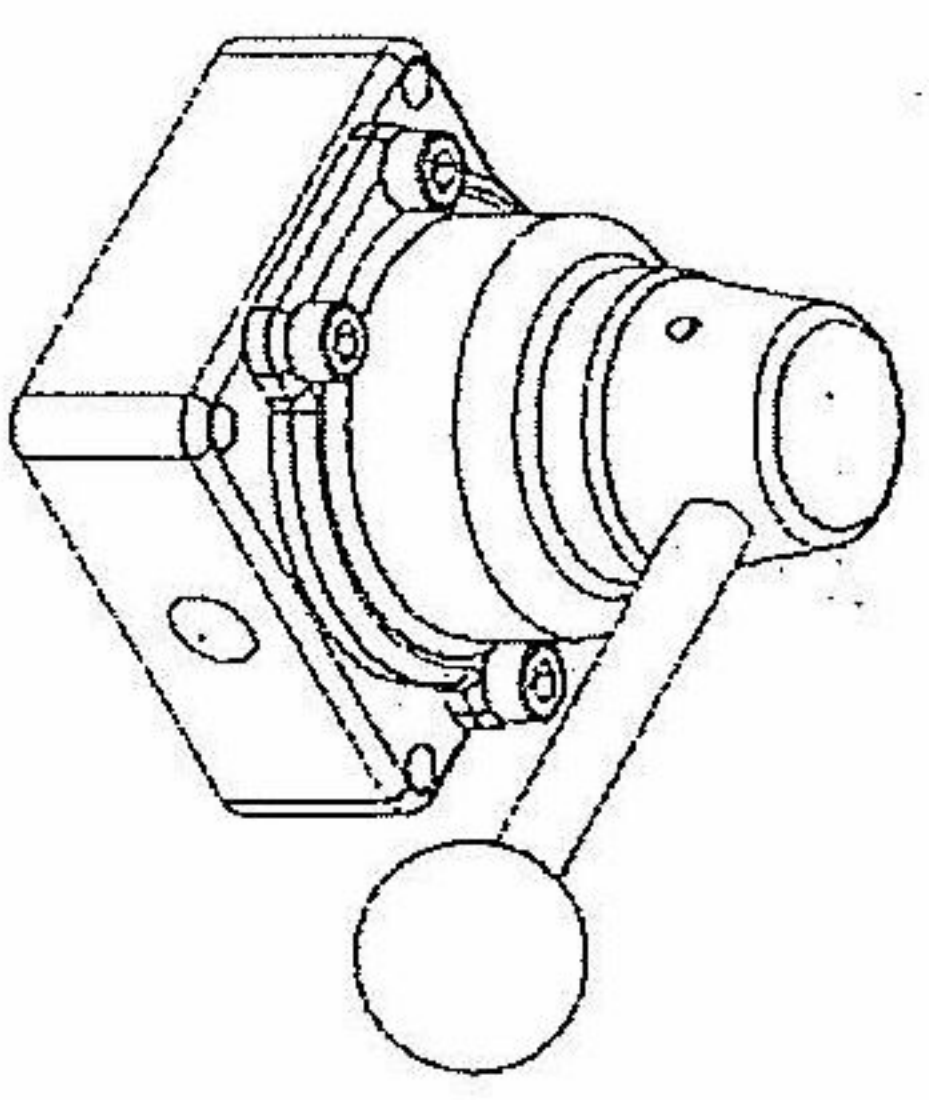
ITEM	DESCRIPTION	QTY	MATERIAL	STANDARD
PARTS LIST				



39TH WORLD SKILLS COMPETITION - SHIZUOKA 2007
 TRADE 03: MECHANICAL ENGINEERING DRAWING & DESIGN CDD
 mm A2 1:1 DAY 01 CAD 01 SINGAPORE
AIR MOTOR (1/2)
 REV. A



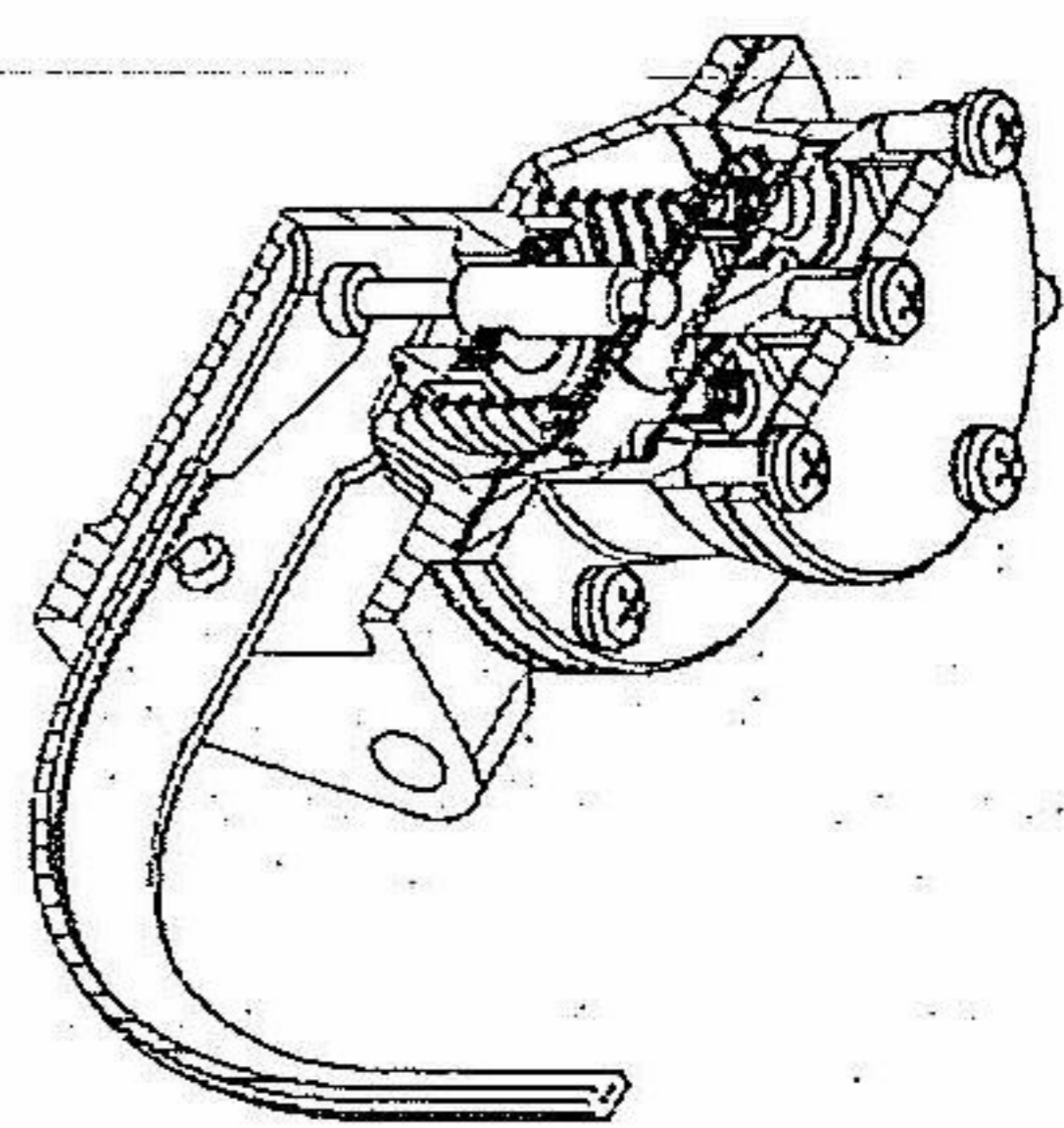
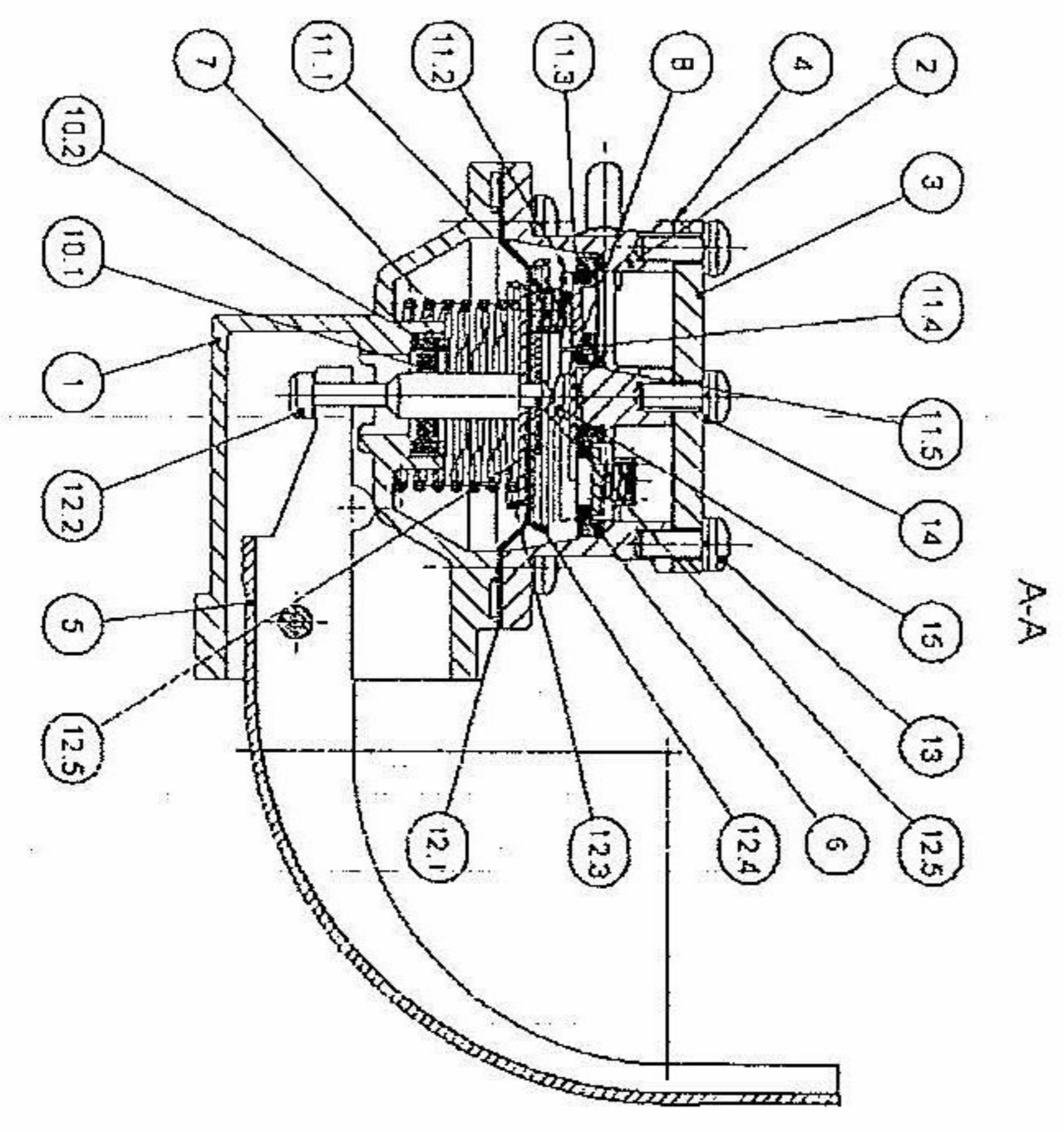
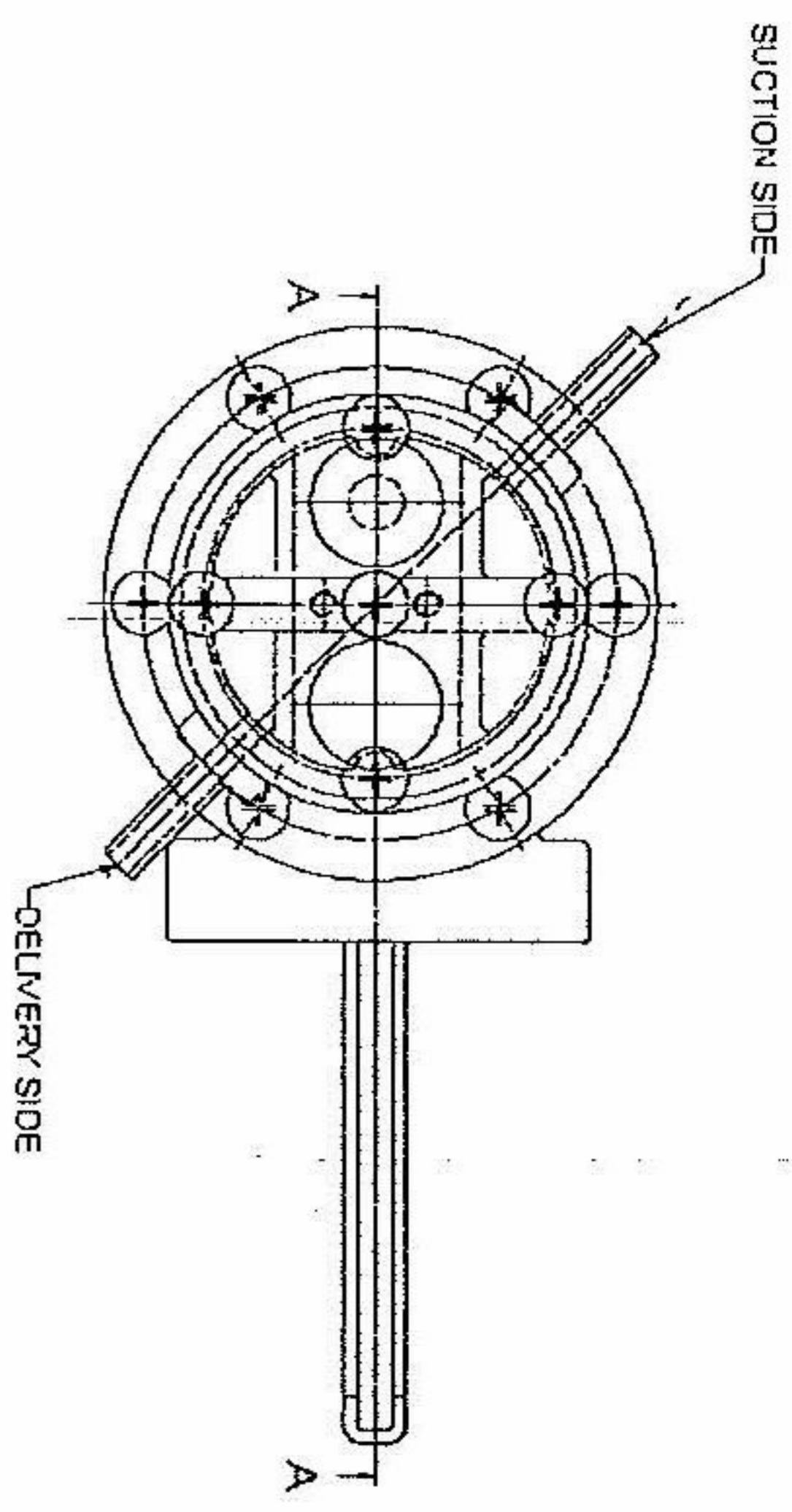
WITH COVER REMOVED



ITEM	DESCRIPTION	QTY	MATERIAL	STANDARD
15	SOC HD CAP SCR	4	STAINLESS STEEL, A40C	ISO 4762 - M5 x 16
14	O-RING MEAN Ø7.5	2	NITRILE RUBBER	
13	O-RING MEAN Ø37	1	NITRILE RUBBER	
12	O-RING MEAN Ø47	1	NITRILE RUBBER	
11.3	DISC SUB 3	1	MILD STL	
11.2	DISC SUB 2	1	MILD STL	
11.1	DISC	1	MILD STL	
11	DISC	1	SURASSEMBLY	
10	DISC PIN	1	MILD STL	
9	SPRING Ø2	1	SPRING STL	
8	SPRING CAP	1	MILD STL	
7	STEM	1	MILD STL	
6	BODY	1	CAST ALUMINIUM	
5	BALL	1	STAINLESS STL	
4	PIN	1	MILD STL	
3	HANDLE	1	MILD STL + DELRIN	
2	COVER	1	CAST ALUMINIUM	
1.3	SPRING	1	SPRING STL	
1.2	DOWEL	1	STAINLESS STL	ISO 2338 - 5 h11 x 10 - C
1.1	KNOB	1	MILD STL	
1	KNOB	1	SUB ASSEMBLY	

PARTS LIST

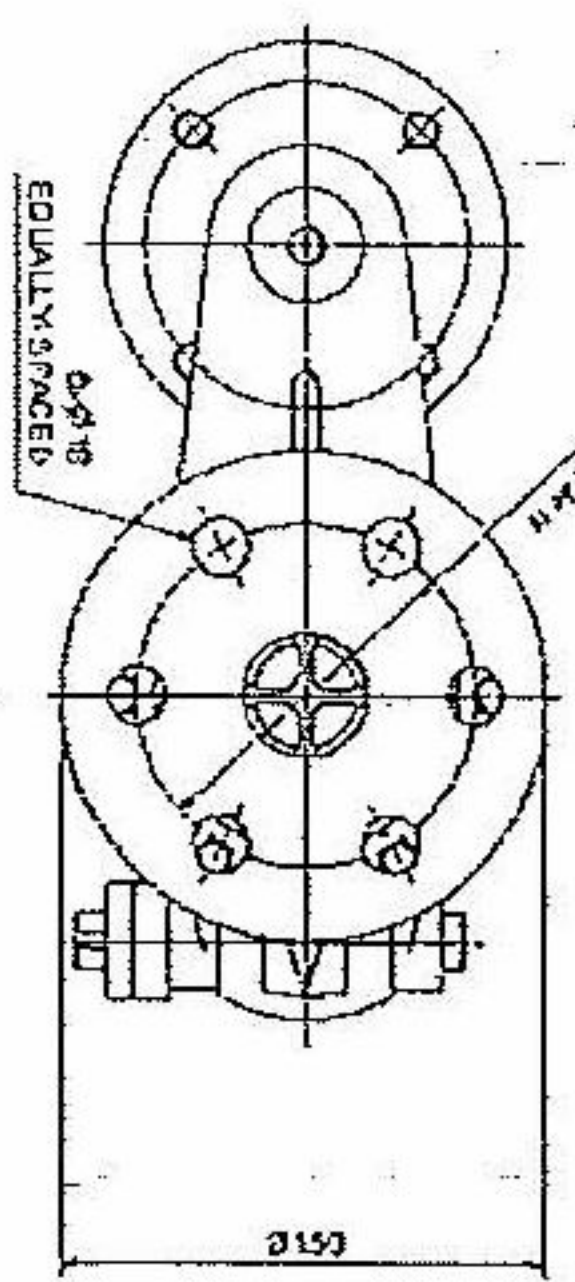
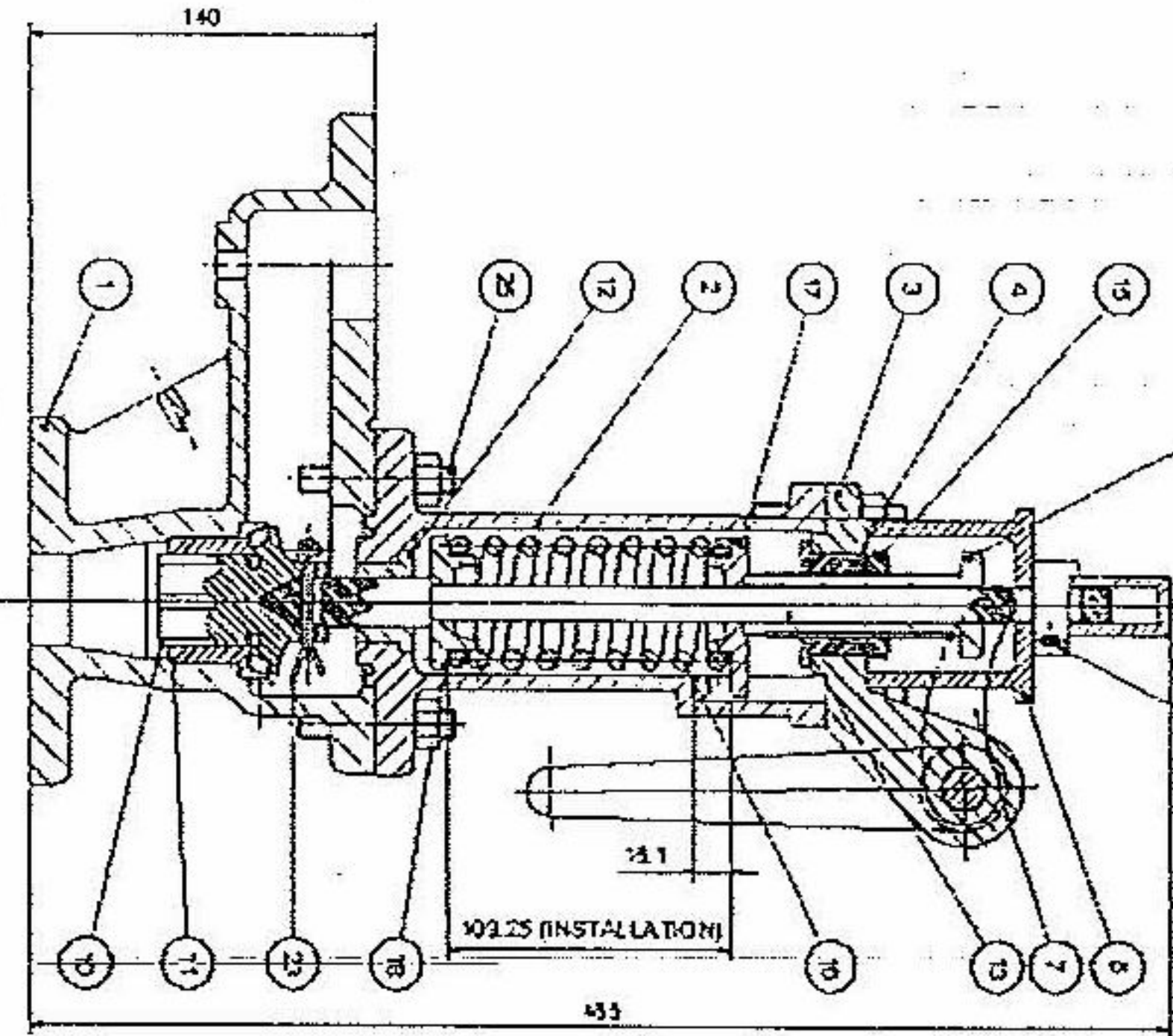
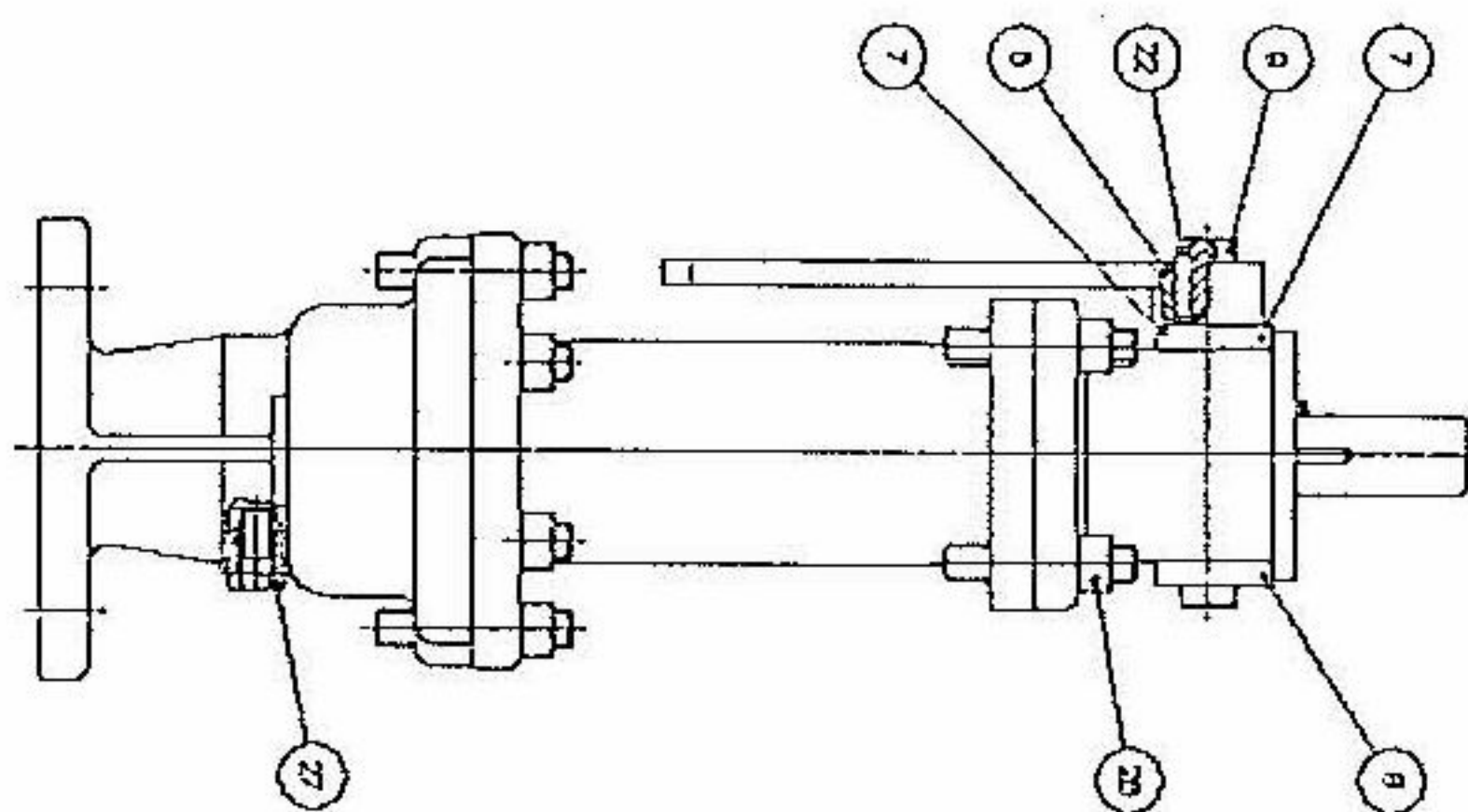
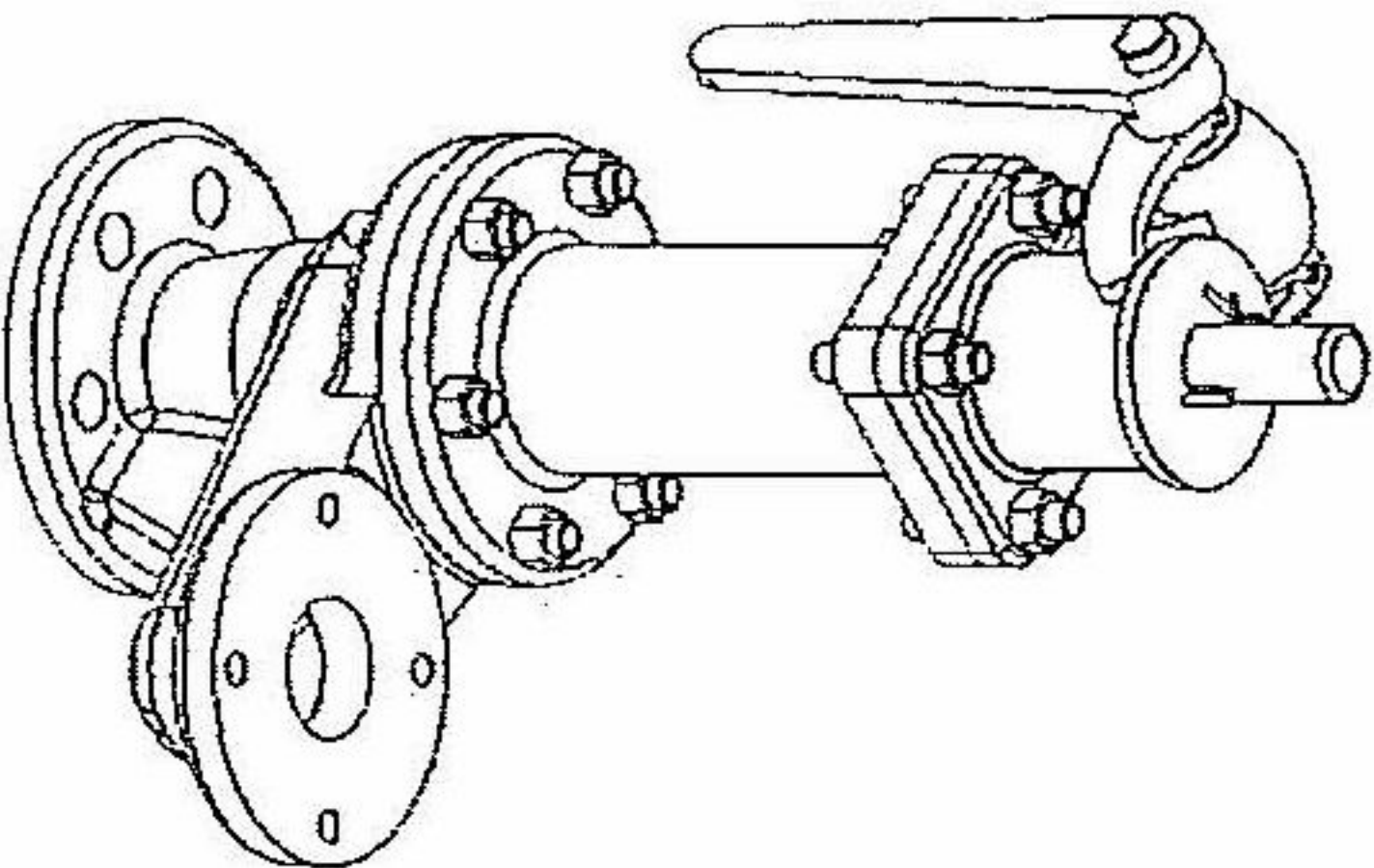
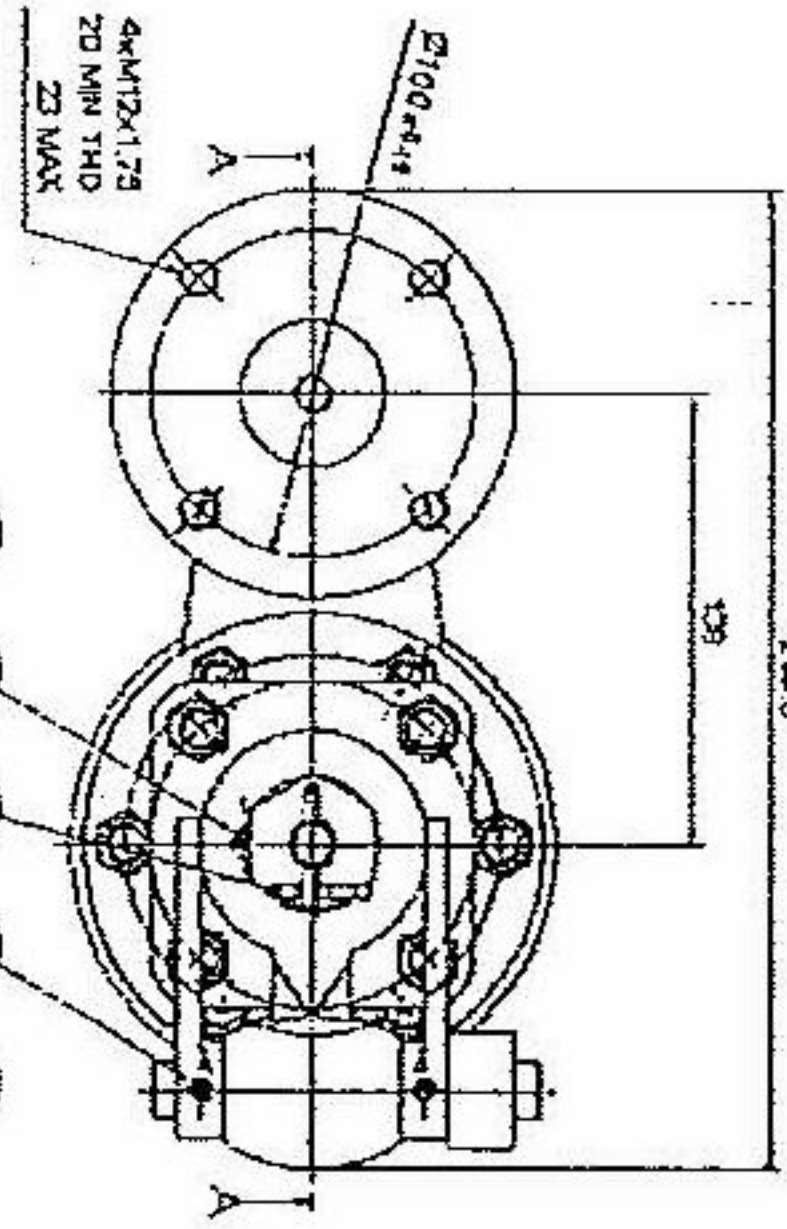
39TH WORLD SKILLS COMPETITION - SINGAPORE 2007
 TRADE: MECHANICAL, ELECTRICAL, ENGINEERING, DRAWING & DESIGN, CAD/CAM
 mm A2 1:1 DAY 01 CAD 01 SINGAPORE
DIRECTIONAL CONTROL VALVE REV A
 SINGAPORE



ITEM	DESCRIPTION	QTY	MATERIAL	STANDARD
16	CIRCLIP	2	MILD STL	DIN 471 - Ø0.7
15	PAN HD PHILLIPS SCR	2	SS440C	ISO 7045 - M4 X 10 - 4.8 - H
14	SPRING WASHER	11	MILD STL	DIN 128 - A5
13	PAN HD SCR	11	SS440C	ISO 7045 - M5 X 12 - 4.8 - H
12.5	STIFFENER WASHER	1	MILD STL	
12.4	DIAPHRAGM STIFFENER	1	MILD STL	
12.3	SPRING CAP	1	MILD STL	
12.2	DIAPHRAGM STEM	1	ALLOY STL	
12.1	DIAPHRAGM	1	SYN RUBBER	
11.5	VALVE SEAT CASING	1	MILD STL	
11.4	VALVE SEAT	1	RUBBER	
11.3	VALVE	1	SS	
11.2	VALVE HOUSING	1	MILD STL	
11.1	VALVE SPRING	1	SPRING STL	
11	VALVE	2		
10.2	SEAL CASE	1	VITON	
10.1	SEAL	1	VITON	
10	SEAL	1		
9	PIN	1	MILD STL	
8	VALVE HOLDER	1	MILD STL	
7	HELICAL SPRING	1	SPRING STL	
6	WASHER	2	CORK BONDED	
5	ARM	1	MILD STL	
4	GASKET	1	RUBBER	
3	COVER	1	ALUMINIUM	
2	VALVE CHAMBER	1	ALUMINIUM	
1	BODY	1	ALUMINIUM	

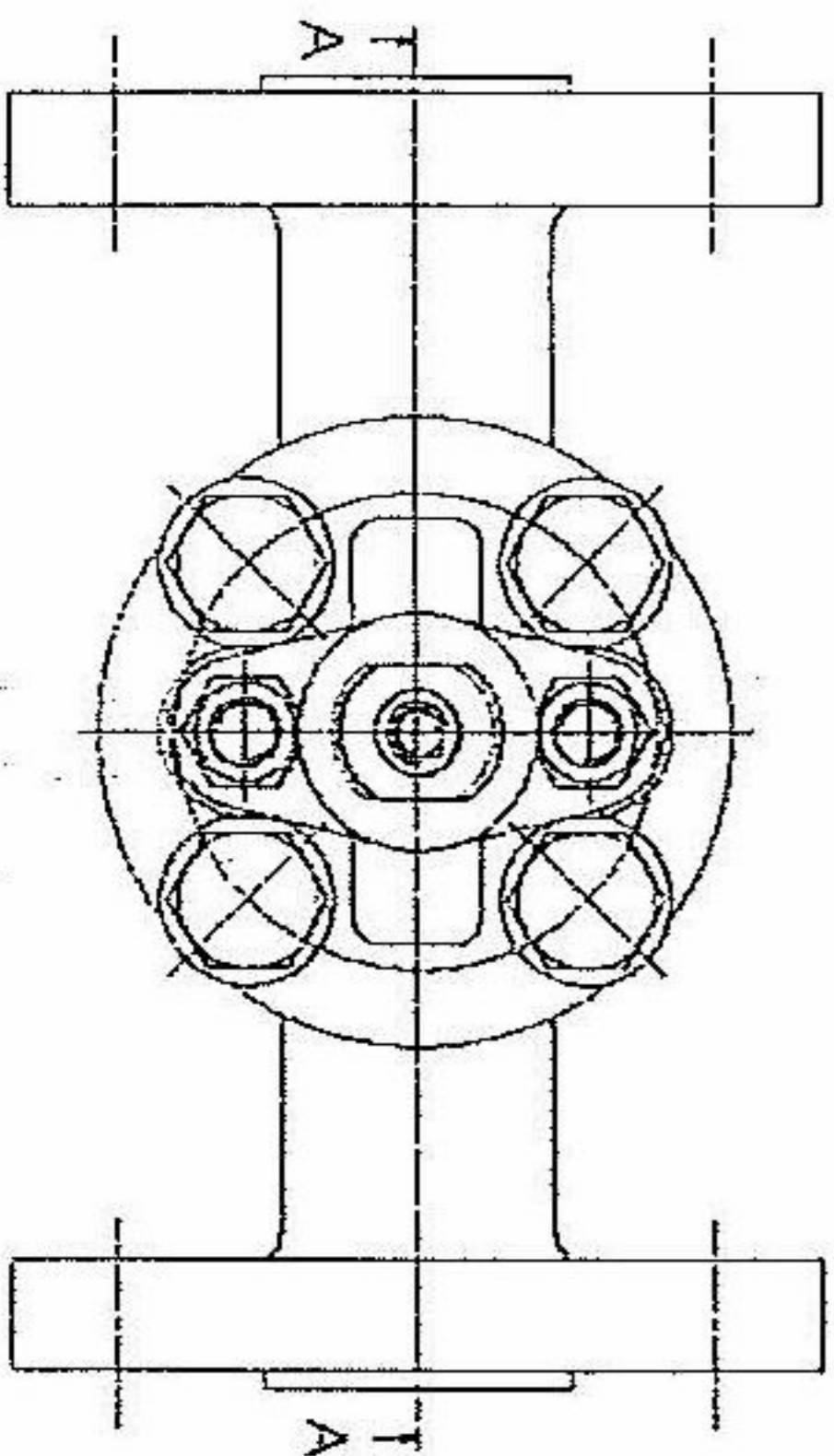
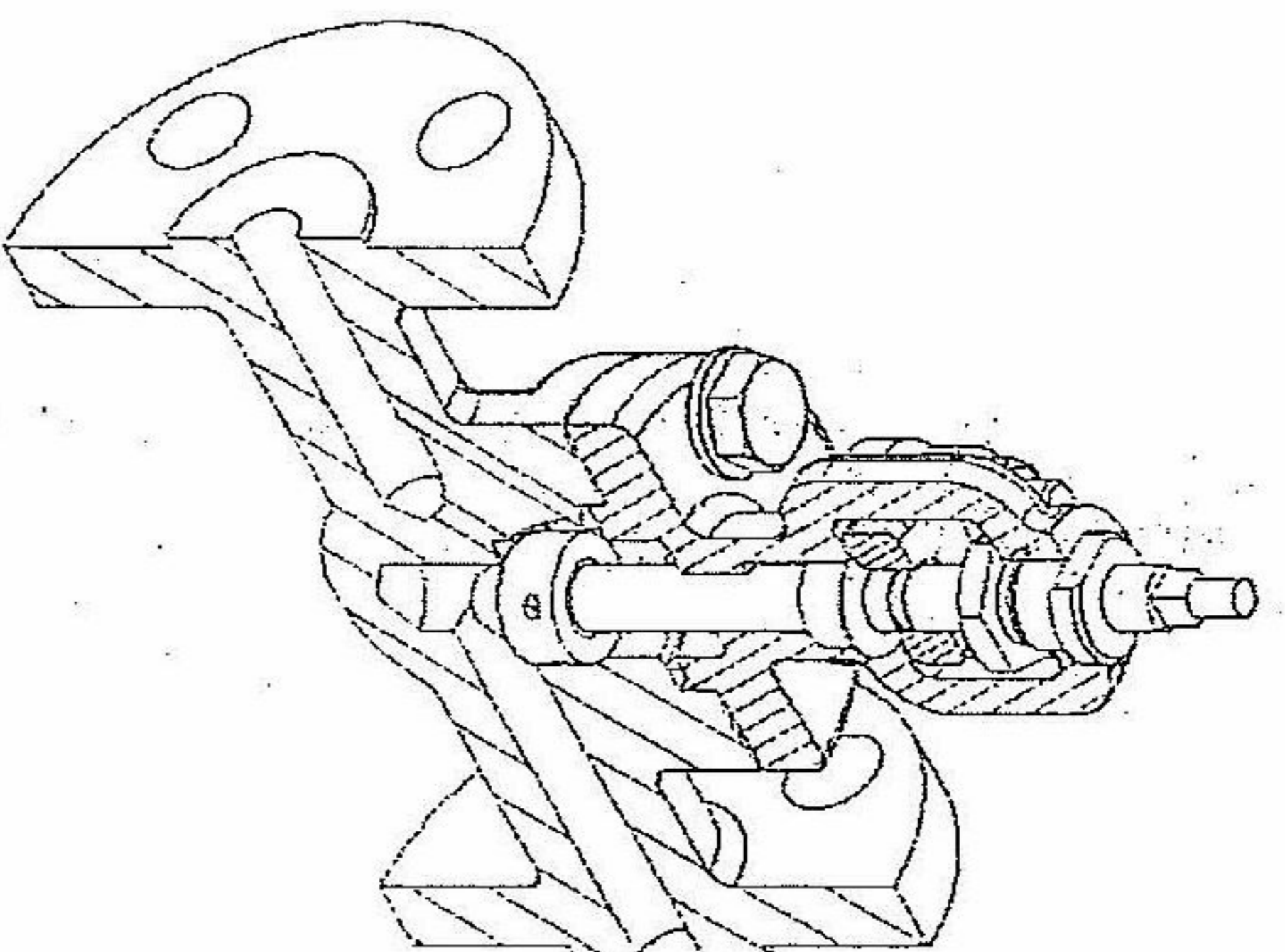
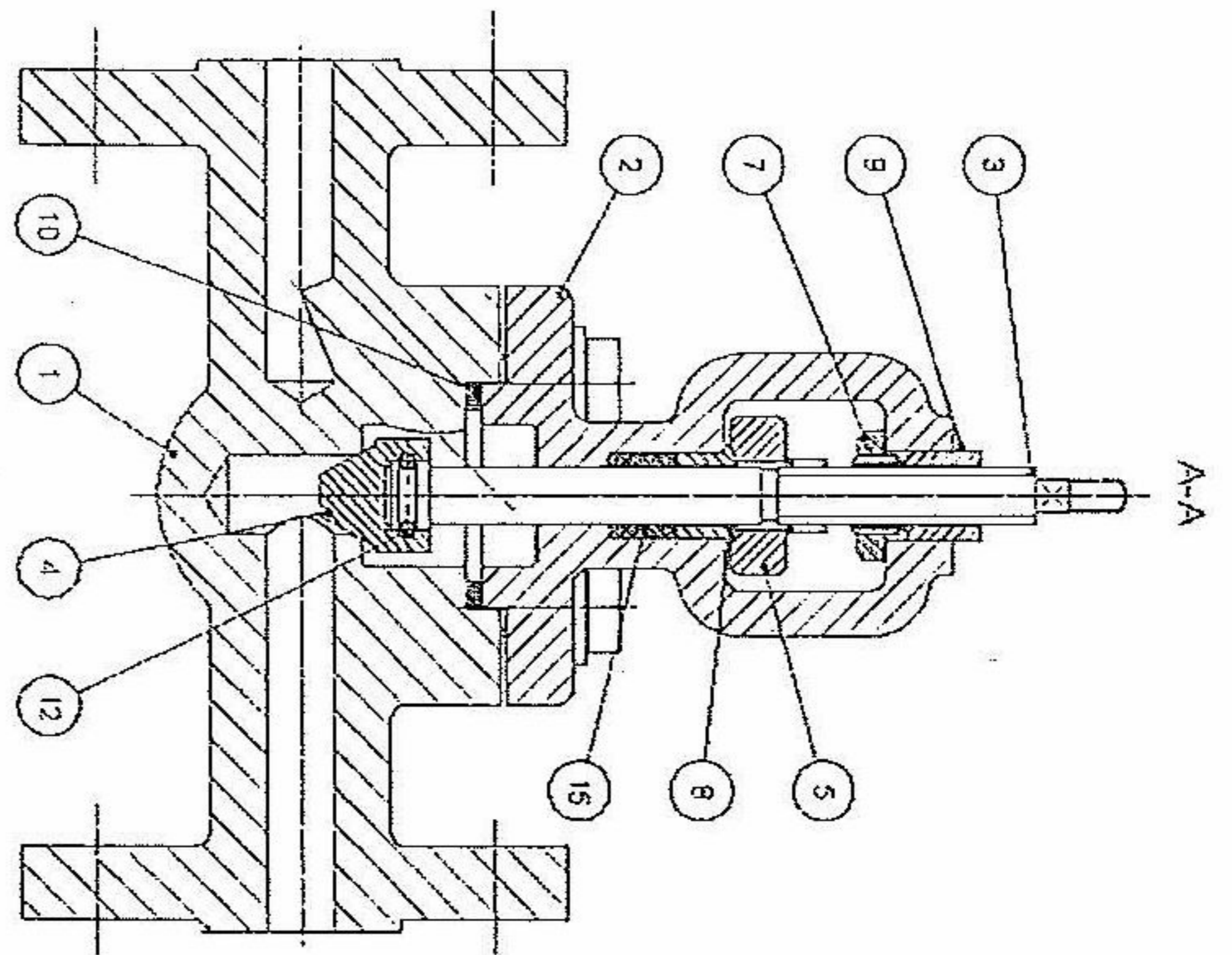
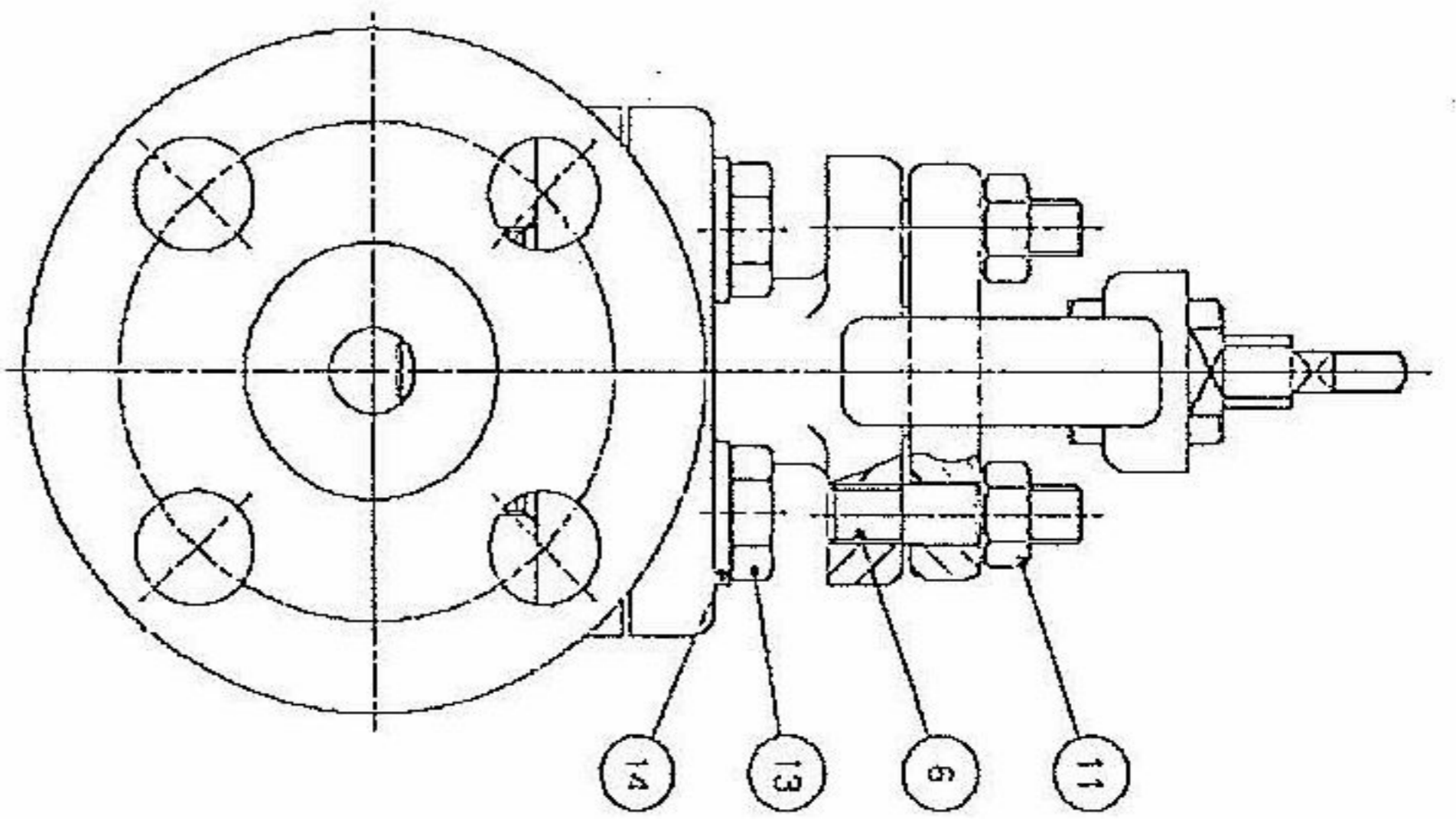
PARTS LIST			
38th WorldSkills Competition - Singapur 2007			
Trade 05 : Mechanical Engineering Drawing & Design CAD			
mm	A2	1:1	DAY 01 CAD 01 SINGAPORE
FUEL DIAPHRAGM PUMP			

TOP VIEW WITH CAP REMOVED



ITEM	DESCRIPTION	QTY	MATERIAL	STANDARD
27	HEX HEAD BOL. 1	1	CARBON STEEL	ISO 4014-M10x20
26	HEX NUT	10	CARBON STEEL	ISO 4032-M12
25	STUD BOL. TS	10	CARBON STEEL	DN 802-M12x40
24	SPUT PIN	1	LOW CARBON STEEL	ISO 1224-4x15
23	SPUT PIN	1	LOW CARBON STEEL	ISO 1224-5x40
22	PARALLEL SQ KEY	1	CARBON STEEL	ISO 4027-16x8
20	HD CSK SET SCR	1	CARBON STEEL	ISO 2009-10x10
19	COTTER	1	CARBON STEEL	
17	SPRINT BEARING	1	GREY CI	
16	SPRING	1	HIGH CARBON STEEL	
15	HEX NUT	1	BRONZE CAST	ISO 4032-M27
14	ADJUSTING SCREW	1	BRONZE CAST	
13	VALVE STEM	1	CARBON STEEL	
12	BUSH	1	BRONZE CAST	
11	VALVE SEAT	1	BRONZE CAST	
10	VALVE	1	BRONZE CAST	
9	SHAFT	1	CARBON STEEL	
8	LIFT ARM	1	CARBON STEEL	FORGING
7	LIFT ARM	1	CARBON STEEL	FORGING
6	BUSH	1	BRONZE CAST	
5	CAP	1	BRONZE CAST	FORGING
4	BUSH	1	BRONZE CAST	
3	BRACKET	1	BRONZE CAST	
2	SPRING COVER	1	GREY CI	
1	VALVE BODY	1	GREY CI	

PARTS LIST
 DRAWING NO: 1000-1000
 DATE: 12/01/01
 CAD: 01
 SPORE
SAFETY VALVE



ITEM	DESCRIPTION	QTY	MATERIAL	STANDARD
15	PACKING	1	FIBRE	
14	WASHER	4	SS	ISO 7099 - 10 - 140HV
13	HEX HD BOLT	4	SS-440C	ISO 4017 - M10 x 25
12	DOWEL PIN	2	SS	ISO 2338 - 3 H8 x 14 - B
11	HEX NUT	2	SS-440C	ISO 4032 - M8
10	SPIRAL WOUND GASKET	1	SS	
9	YOKE BUSH	1	MS	
8	GLAND	1	BRONZE	
7	HEX NUT	1	MS	
6	STUD	2	MS	B 1173 - MBx35
5	GLAND BRIDGE	1	FORGED STL	
4	VALVE	1	MCS	
3	STEM	1	MCS	
2	COVER AND YOKE	1	CI	
1	BODY	1	CI	

PARTS LIST
 39TH WORLD SKILLS COMPETITION - SHIZUOKA 2007
 TRADE 05 : MECHANICAL ENGINEERING (PRESSURE & DESIGN CAD)
 mm A2 1:1 DAY 01 CAD 01 SINGAPORE
GLOBE VALVE
 REV A